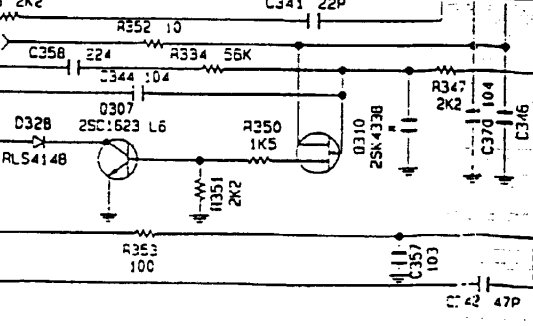
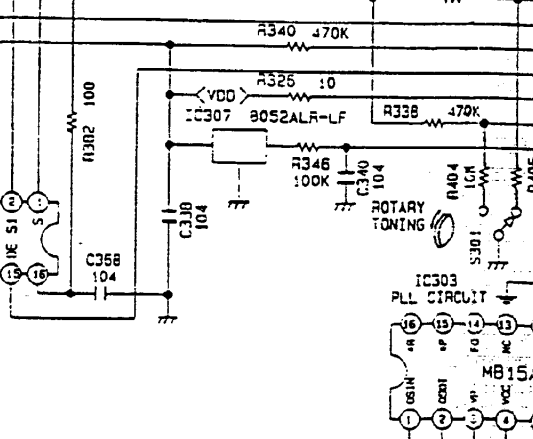
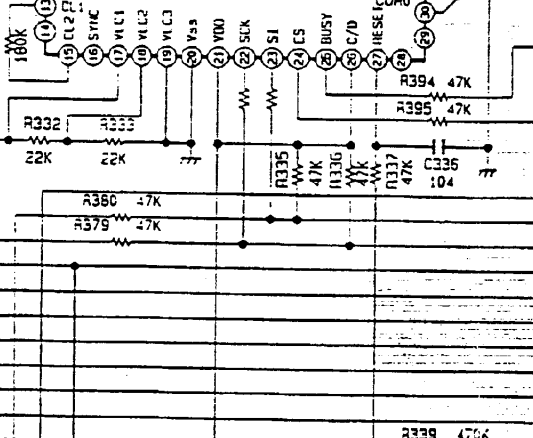
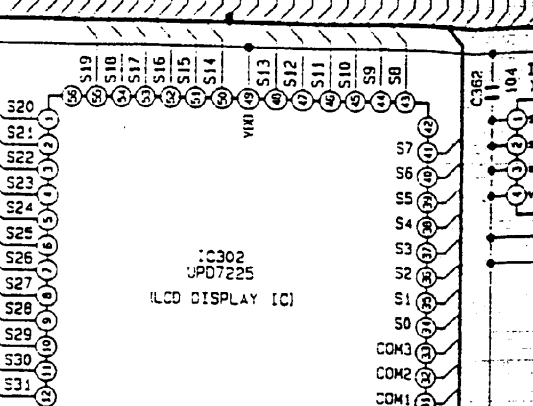
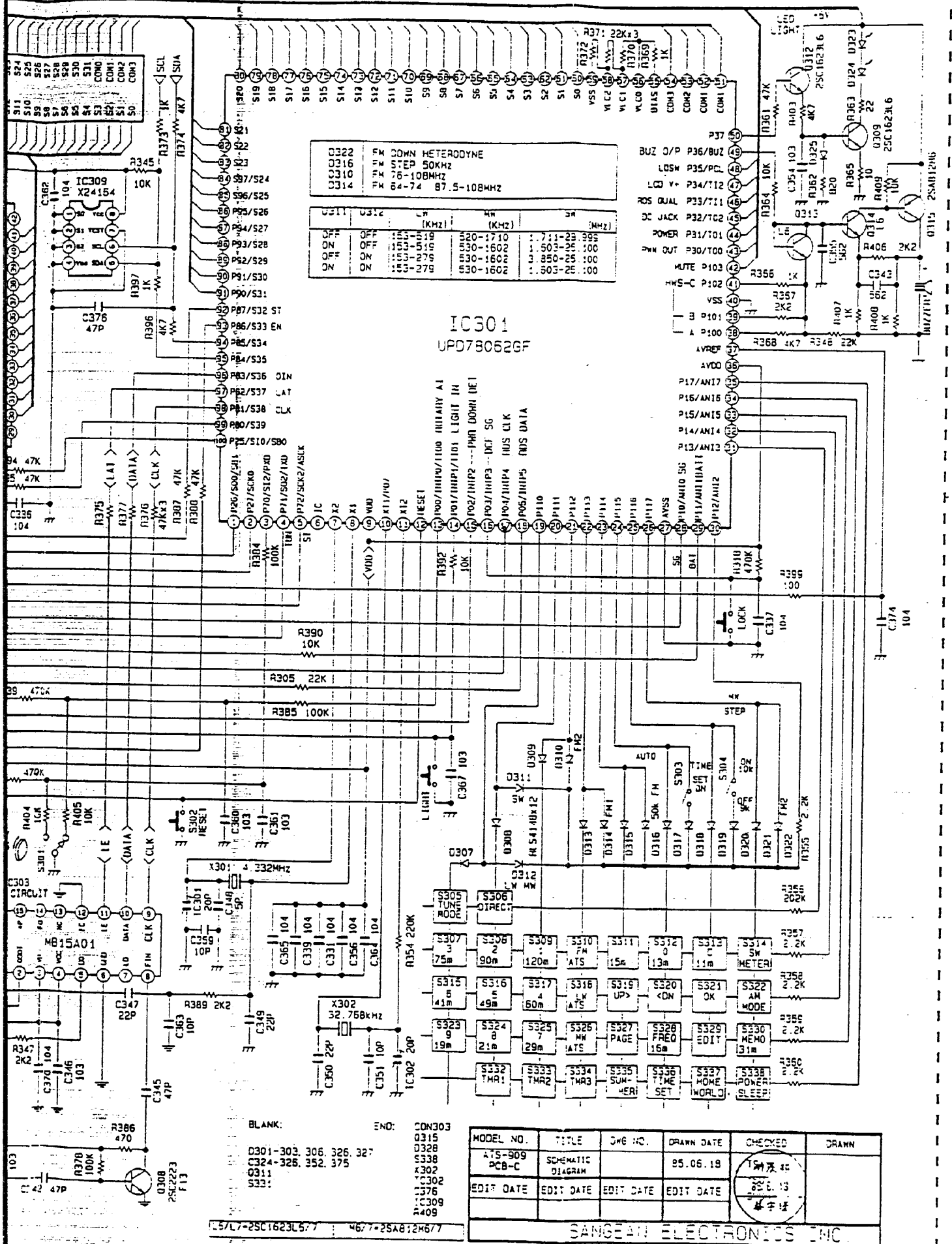


COM1	COM2	COM3	COM4	COM5	COM6	COM7	COM8	COM9	COM10	COM11	COM12	COM13	COM14	COM15	COM16	COM17	COM18	COM19	COM20	COM21	COM22	COM23	COM24	COM25	COM26	COM27	COM28	COM29	COM30	
50	51	52	53	54	55	56	57	58	59	60	61	62	63	64	65	66	67	68	69	70	71	72	73	74	75	76	77	78	79	80



# SCHEMATIC DIAGRAM



0322	F M	DOWN HETERODYNE
0316	F M	50KHZ
0310	F M	108MHZ
0314	F M	87.5-108MHZ

U311	U312	CH	FH	DR	FMHZ
ON	OFF	1	20-1710	1	711-200
ON	OFF	2	30-1602	1	503-200
ON	OFF	3	30-1602	1	850-200
ON	OFF	4	30-1602	1	503-25

IC301  
UPD780526F

- BLANK: 0301-303, 306, 326, 327  
 0324-328, 352, 375  
 0311  
 0331
- END: CON303  
 0315  
 0328  
 0338  
 X302  
 IC302  
 C376  
 IC309  
 R409

MODEL NO.	TITLE	ENG. NO.	DRAWN DATE	CHECKED	DRAWN
ATS-909	SCHEMATIC DIAGRAM		85.06.18		
PCB-C					
EDIT DATE	EDIT DATE	EDIT DATE	EDIT DATE		

SANGHAN ELECTRONICS INC

